



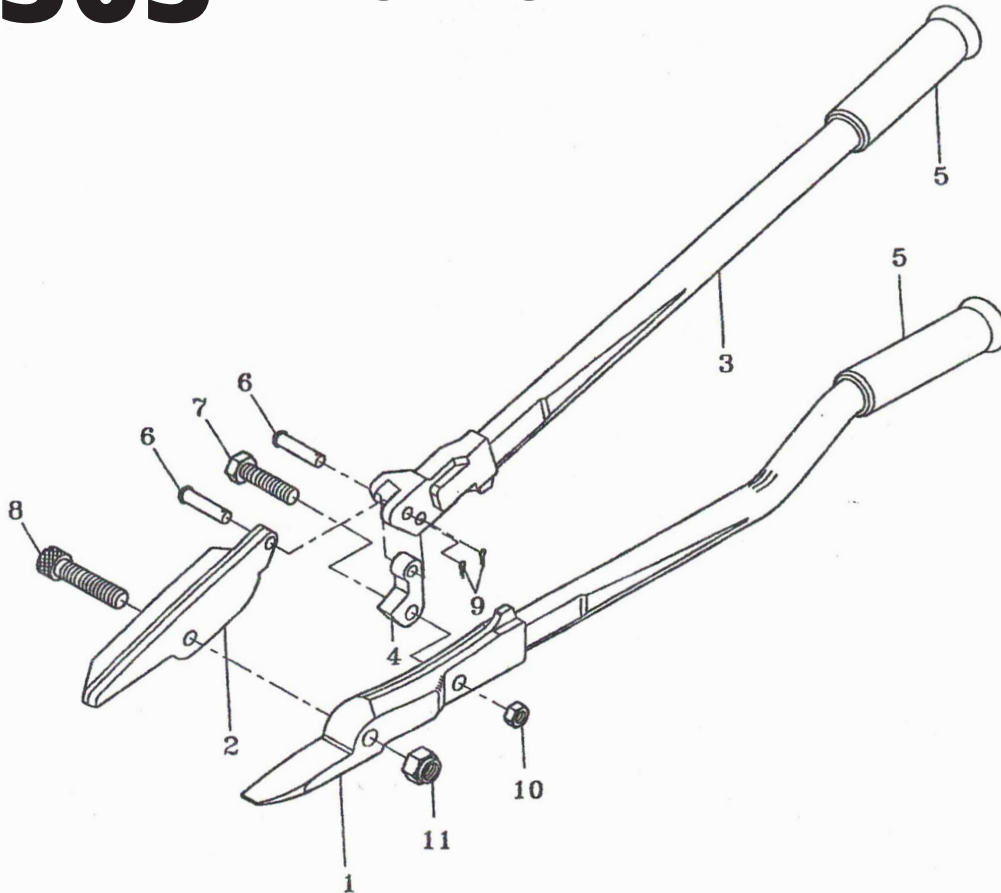
**AMERICAN STRAPPING COMPANY**

1-866-488-4272 sales@americanstrapping.com

**STEEL STRAPPING CUTTER**

**C505**

**UP TO 2"**



REF NO.	PARTS NO.	DESCRIPTION	Q'TY
1	H17-001	Bottom Cutter Blade.	1
2	H17-002	Top Cutter Blade.	1
3	H17-003	Upper Handle	1
4	H17-004	Toggle Link	1
5	H17-005	Handle Grip	2
6	H17-006	Pivot Pin	2
7	HB1040	HB, M10x40	1
8	HBS1250	HBS, M12x50	1

REF NO.	PARTS NO.	DESCRIPTION	Q'TY
9	H17-009	Spring Pin	2
10	NTE10	NTE, M10	1
11	NTE12	NTE, M12	1

**\* PLEASE ORDER PARTS BY PARTS NO., DESCRIPTION AND Q'TY.**