



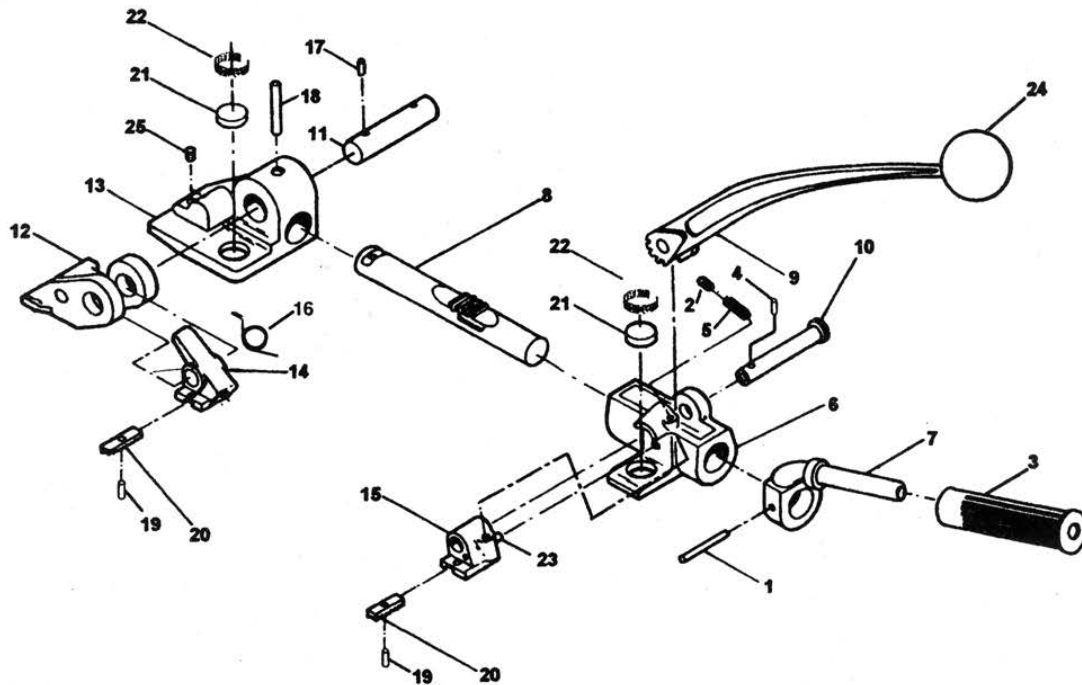
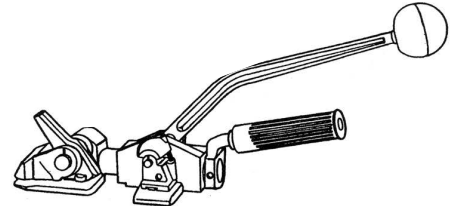
AMERICAN STRAPPING COMPANY

1-866-488-4272 sales@americanstrapping.com

STEEL STRAPPING TENSIONER

RTUL114

**HEAVY DUTY PUSHER TENSIONER
3/4" - 1-1/4" STEEL STRAPPING**



PARTS LIST

KEY NO.	PART NO.	PART NAME	QTY.	KEY NO.	PART NO.	PART NAME	QTY.
1	35001	ROLL PIN [3/16" X 1-1/4"]	1	13	35013	FRONT BODY	1
2	35002	SET SCREW [CUP POINT 5/16-24 X 3/8"]	2	14	35014	FRONT GRIPPER BODY	1
3	35003	HANDLE GRIP	1	15	35015	REAR GRIPPER BODY	1
4	35004	ROLL PIN [5/32" X 1/2"]	1	16	35016	FRONT GRIPPER SPRING	1
5	35005	REAR GRIPPER SPRING	1	17	35017	ROLL PIN [1/8" X 3/4"]	1
6	35006	REAR BODY	1	18	35018	ROLL PIN [3/16" X 1-3/4"]	1
7	35007	REAR HANDLE	1	19	35019	ROLL PIN [3/32" X 1/4"]	2
8	35008	RACK	1	20	35020	GRIPPER INSERT	2
9	35009	TENSION HANDLE	1	21	35021	SLIDE PLATE	2
10	35010	REAR BODY PIN	1	22	35022	TOLERANCE RING	2
11	35011	FRONT BODY PIN	1	23	35023	GRIPPER RELEASE PIN	1
12	35012	NOSE PIECE	1	24	35024	BALL GRIP	1
				25	35025	NOSE PIECE SET SCREW [CUP POINT NYLOK SET SCREW 5/16-24 X 3/8"]	1