



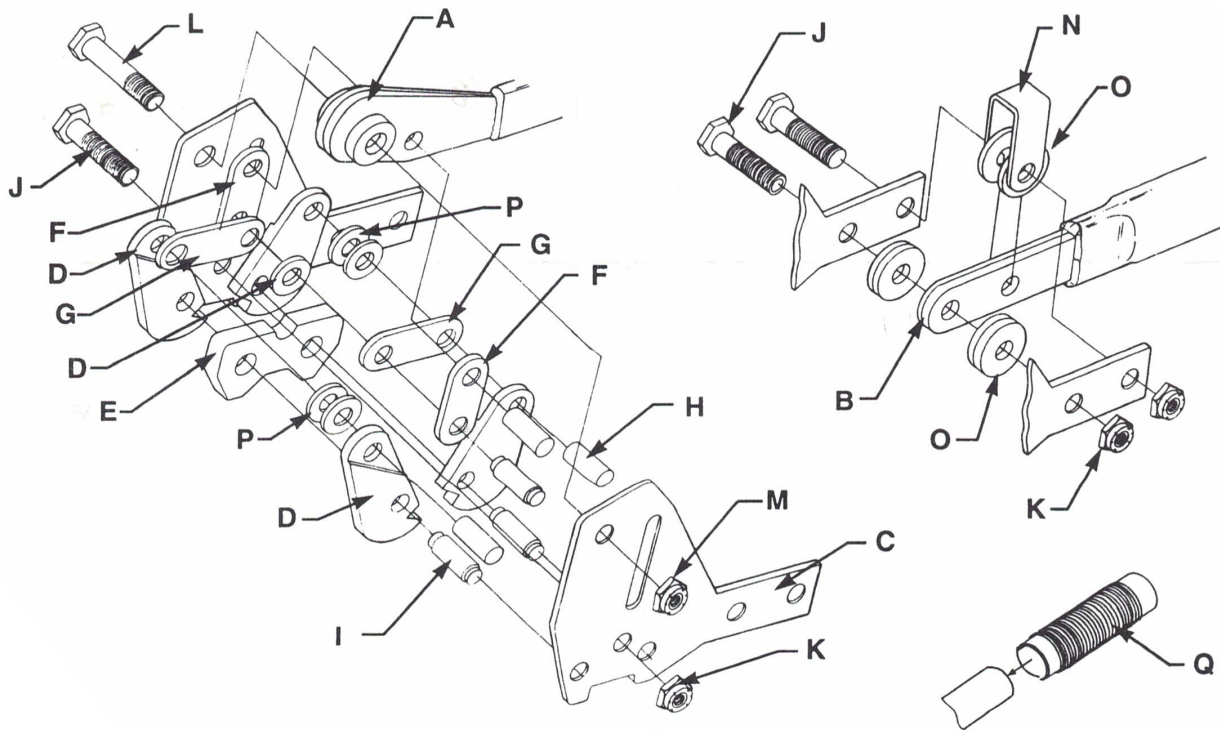
AMERICAN STRAPPING COMPANY

1-866-488-4272 sales@americanstrapping.com

PLASTIC STRAPPING SEALER

SSN114

1-1/4" SINGLE SIDE NOTCH SEALER



PARTS LIST

Item	Description	Qty.	Part #	Item	Description	Qty.	Part #
A	Top Handle.....	1001	L	7/16-20 Bolt.....	1012
B	Lower Handle.....	1002	M	7/16-20 Nut	1013
C	Side Plate	2003	N	Handle Stop	1014
D	Jaw.....	4004	O	3/8 Space Washer.....	6*015
E	Shear Blade	1005	P	7/16 Space Washer.....	8016
F	Handle Link.....	2006	Q	Handle Grip.....	2017
G	Jaw Link.....	2007				
H	Plain Pin.....	3008				
I	Step Pin	3009				
J	3/8-24 Bolt	3010				
K	3/8-24 Nut.....	3011				

