



AMERICAN STRAPPING COMPANY

1-866-488-4272 sales@americanstrapping.com

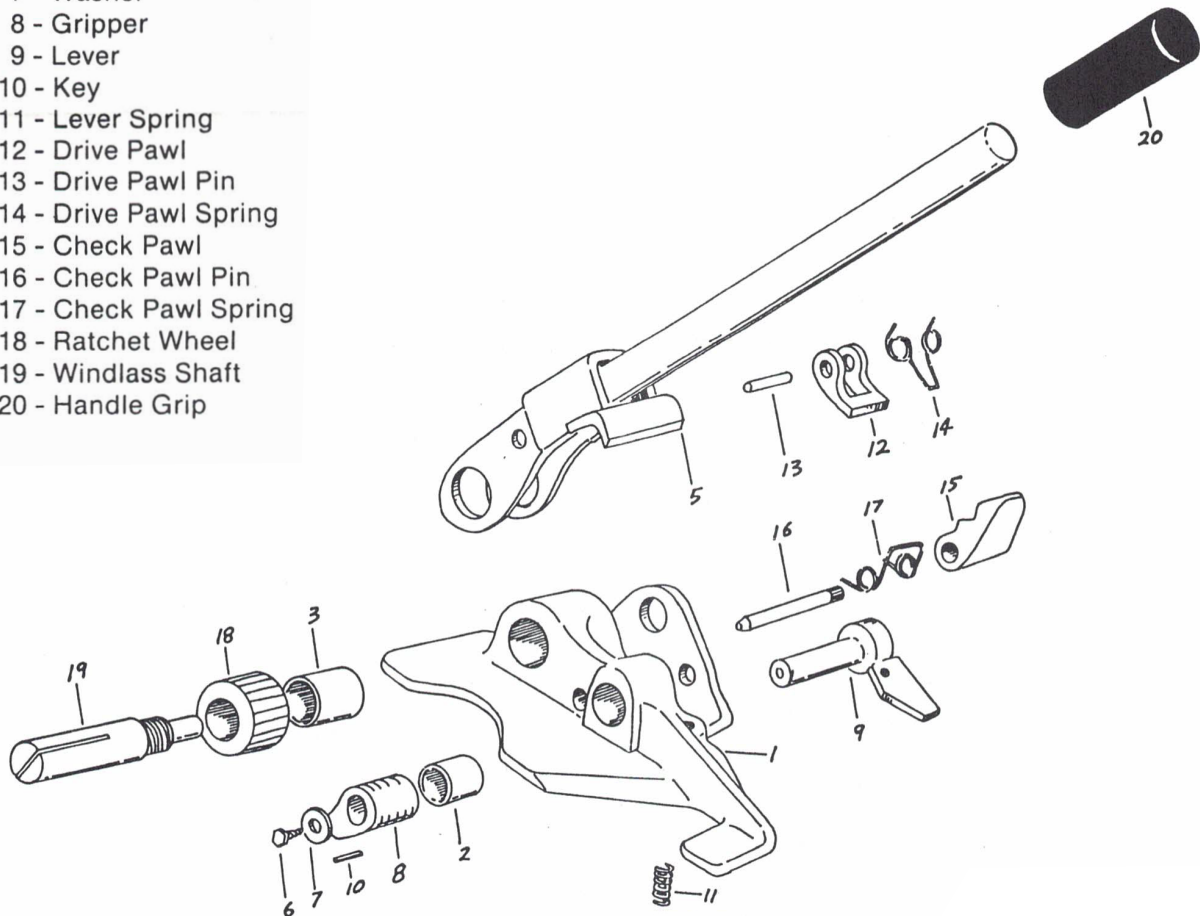
STEEL STRAPPING TENSIONER

WT114

**FOR UP TO 1-1/4" x .035"
STEEL STRAPPING**

When ordering parts please specify quantity needed, model of tool and part name.

- 1 - Base
- 2 - Steel Bushing
- 3 - Bronze Bushing
- 5 - Handle
- 6 - Cap Screw
- 7 - Washer
- 8 - Gripper
- 9 - Lever
- 10 - Key
- 11 - Lever Spring
- 12 - Drive Pawl
- 13 - Drive Pawl Pin
- 14 - Drive Pawl Spring
- 15 - Check Pawl
- 16 - Check Pawl Pin
- 17 - Check Pawl Spring
- 18 - Ratchet Wheel
- 19 - Windlass Shaft
- 20 - Handle Grip



Shipping Weight 12 Lbs.